

Setup Guide



 **audioengine**

Audioengine, Ltd.
support@audioengineusa.com
www.audioengineusa.com

 **audioengine 5**
www.audioengineusa.com

© 2008 Audioengine Corp. All Rights Reserved.

Copyright Notice
Audioengine and Audioengine 5 are trademarks of Audioengine Ltd.



Contents

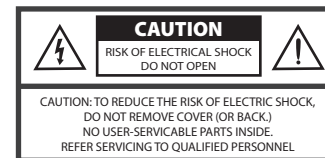
Safety Information	Page 1
Introduction/Unpacking/Features	Pages 2-3
Box Contents	Page 3
Connecting Your System	Pages 4-9
Troubleshooting	Pages 10-12
Warranty Information	Page 13
Specifications	Page 14

Basic Safety Instructions

- Read these instructions for all components before using this product.
- Keep these instructions for future reference.
- Heed all warnings on the product and in the owner's guide.
- Follow all instructions.
- Do not use this apparatus near water or moisture. Do not use this product near a bathtub, washbowl, kitchen sink, laundry tub, in a wet basement, near a swimming pool, or anywhere else that water or moisture are present.
- Clean only with a dry cloth and as directed by the manufacturer. Unplug this product from the wall outlet before cleaning.
- Do not block any ventilation openings. Install in accordance with the manufacturer's instructions. To ensure reliable operation of the product and to protect it from overheating, put the product in a position and location that will not interfere with its proper ventilation. For example, do not place the product on a bed, sofa, or similar surface that may block the ventilation openings. Do not put it in a built-in system, such as a bookcase or a cabinet that may keep air from flowing through its ventilation openings.
- Do not install near any heat sources, such as radiators, heat registers, stoves or other apparatus that produce heat.
- Do not defeat the safety purpose of the polarized or grounding-type plug. A polarized plug has two blades with one wider than the other. A grounding-type plug has two blades and a third grounding prong. The wider blade or third prong are provided for your safety. If the provided plug does not fit in your outlet, consult an electrician for replacement of the obsolete outlet.
- Protect the power cord from being walked on or pinched, particularly at plugs, convenience receptacles, and the point where they exit from the apparatus.
- Only use attachments or accessories specified by the manufacturer.
- Use only with the cart, stand, tripod, bracket or table specified by the manufacturer or sold with the apparatus. When a cart is used, use caution when moving the cart/ apparatus combination to avoid injury from tip-over.
- Unplug this apparatus during lightning storms or when unused for long periods of time to prevent damage to this product.
- Refer all servicing to qualified service personnel.
- Servicing is required when the apparatus has been damaged in any way such as power supply cord or plug is damaged, liquid has been spilled or objects have fallen into the apparatus, the apparatus has been exposed to rain or moisture, does not operate normally, or has been dropped. Do not attempt to service this product yourself. Opening or removing covers may expose you to dangerous voltages or other hazards. Please contact the manufacturer to be referred to an authorized service center near you.
- To prevent risk of fire or electric shock, avoid overloading wall outlets, extension cords, or integral convenience receptacles .
- Do not let objects or liquids enter the product as they may touch dangerous voltage points or short out parts that could result in a fire or electric shock.
- See product enclosure bottom for safety related markings.
- Use Proper Power Sources. Plug the product into a proper power source, as described in the operating instructions or as marked on the product.
- Avoid power lines— Use extreme care when installing an outside antenna system to keep from touching power lines or circuits, as contact with them may be fatal. Do not install external antennas near overhead power lines or other electric light or power circuits, nor where an antenna can fall into such circuits or power lines.

This device complies with part 15 of the FCC Rules.

Operation is subject to the following two conditions: This device may not cause harmful interference and this device must accept any interference received, including interference that may cause undesired operation.





Introduction

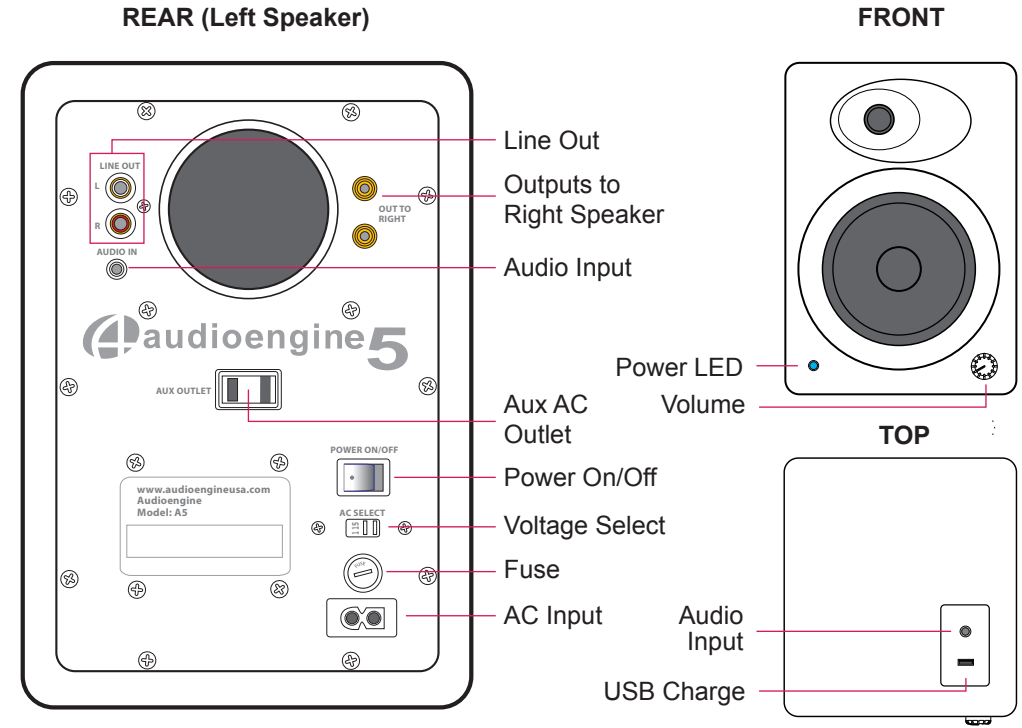
Welcome to the Audioengine family and congratulations on your purchase of the Audioengine 5 (A5) Premium Powered Bookshelf Speakers. The Audioengine team is dedicated to bringing you the highest quality listening experience possible and the Audioengine 5 is designed with the same attention to detail and operational simplicity as other Audioengine products. Our goal is to get you to your music as simply as possible without all the “gadget tinkering” that other products generally require. As with our other past efforts, we thank all our customers and resellers for helping us create another great Audioengine product!

Unpacking

Your Audioengine speakers were carefully tested and inspected before packaging and shipping. After unpacking please check for any damage. It is rare that a unit is damaged during shipping, but if this does happen contact the shipping company immediately. We recommend that you keep the original carton and packing material for future shipping.

Features

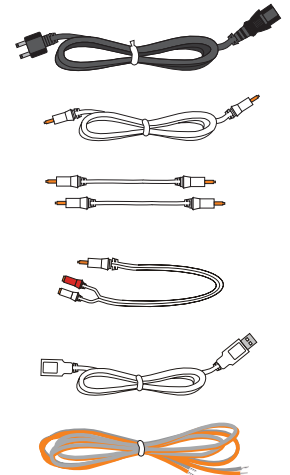
- USB power charging (ComboPort)
- 2 audio inputs
- Built-in power amplifiers, no receiver needed
- Wireless Ready!
- Front panel volume control
- Custom Kevlar woofers for super low end
- Silk tweeters for smooth highs
- Line-level audio output
- High-quality speaker connectors
- Auto-sleep power saving mode
- Hand-built and finished cabinets
- Video shielded
- All cables included



Box Contents

Included with the speakers:

- AC power cable
- 1/8" audio cable, 2 meters (~6.5 feet)
- (2) 1/8" audio cable, 20 cm (~8 inches)
- 1/8" to RCA "Y" cable
- USB power extender cable, 1 meter (~3.28ft)
- Speaker cable (16AWG), 2 meters (~6.5 feet)
- Drawstring cable bag (not shown)
- Drawstring speaker bags (not shown)
- Setup Guide (not shown)





Connecting Your System

Step 1 – Speaker Wire Connection

Connect the **RED (+)** and **BLACK (-)** terminals from the left speaker to the corresponding terminals on the right speaker using the included speaker wire. Be sure to match the gold-colored side of the speaker wire with the **RED (+)** terminals and the silver-colored side to the **BLACK (-)** terminals on each speaker.

Note: As the Audioengine 5 speaker system is self-powered, do not connect the speaker terminals to the speaker outputs of a stereo receiver.

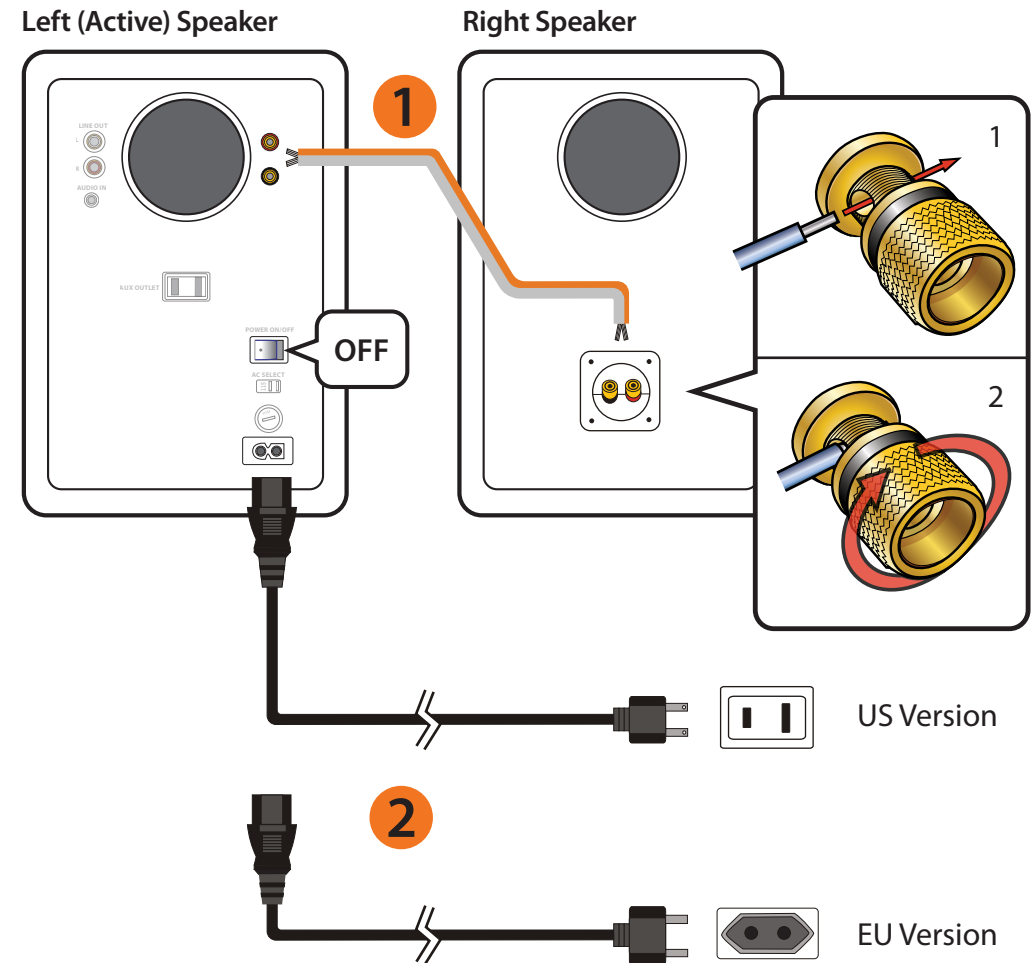
Detailed procedure:

- Remove the pre-cut insulation on the end of the speaker wire and twist the exposed wire strands 2-3 times.
- Use your thumb and finger to unscrew the binding post connector.
- Insert each speaker wire into the holes on the side of the binding post connector.
- Retighten the binding posts. The stripped wire portion should be secured firmly in the connector.

Repeat the procedure to connect the other end of the speaker wire to the other speaker. Be sure to match the wire color to the same terminal color on each speaker. Also, make sure that none of the speaker wire strands have come in contact with an adjoining terminal.

Step 2 – Power Cable Connection

- Verify that the power switch on the rear panel is in the **OFF** position.
- Verify that the voltage selector switch is set to the proper voltage for your area.
- Connect the power cord into the left speaker and the other end into the wall outlet.





Connecting Your System (continued)

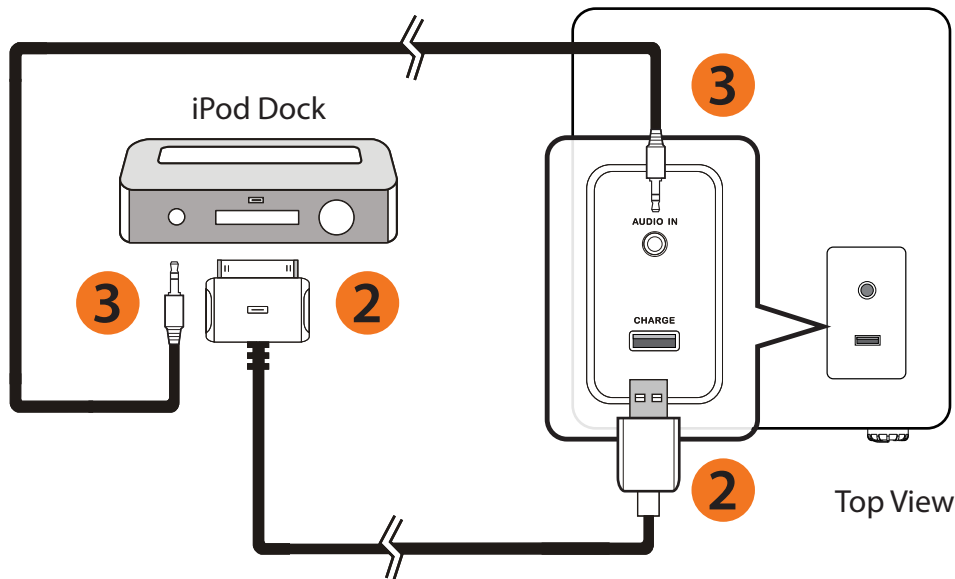
Step 3– Audio Configurations

The following configurations show the most common audio setups for Audioengine 5.

Configuration A (for use with iPod Universal Dock):

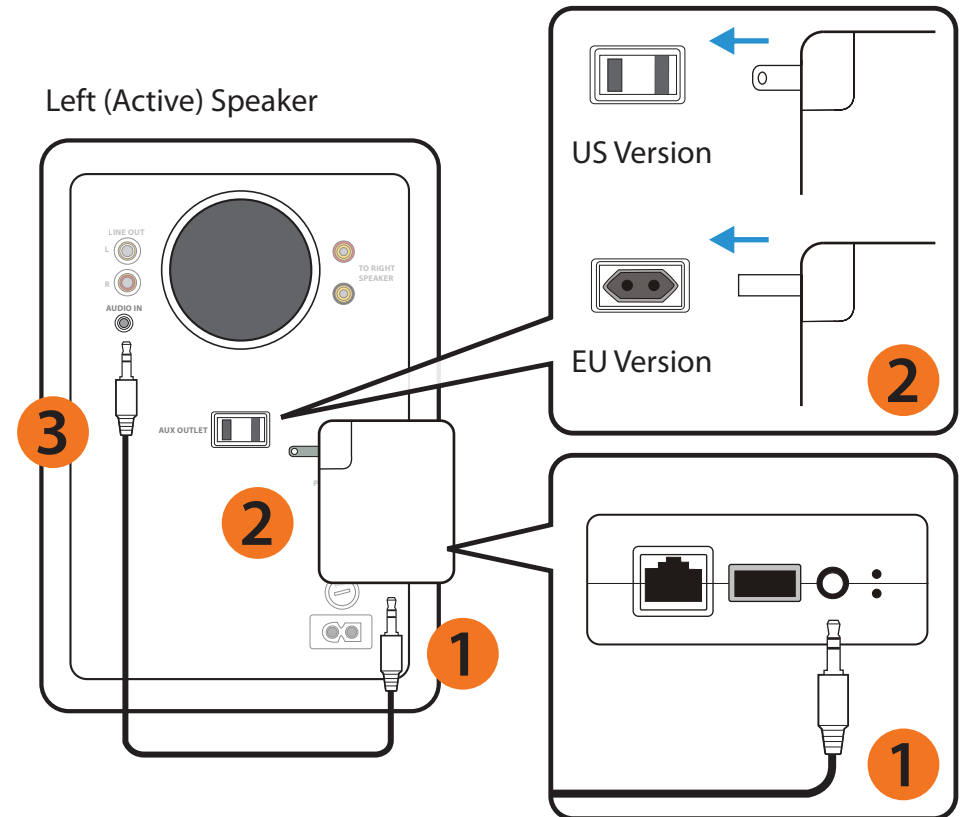
- A1** Place the dock on top of the left speaker. We highly recommend using the Apple Universal Dock with remote control.
- A2** Connect the Apple 30-pin cable from the dock to USB jack on the speaker top Combo Port.
- A3** Connect one of the included 1/8" mini-jack audio cables from the dock to **AUDIO IN** jack on the top Combo Port.
- A4** Turn rear panel power switch ON and verify that the blue LED lights up on the speaker front panel.

Insert your iPod and set volumes on the front panel and iPod as desired.



Configuration B (for use with Airport Express and iTunes):

- B1** Plug one end of the short 1/8" audio cables into your Airport Express audio output.
- B2** Plug Airport Express into the **AUX OUTLET** on the left speaker rear panel.
- B3** Plug the other end of the 1/8" audio cable into **AUDIO IN** jack in rear of left speaker.
- B4** Select Airport Express from iTunes on your computer and set volume levels as desired.

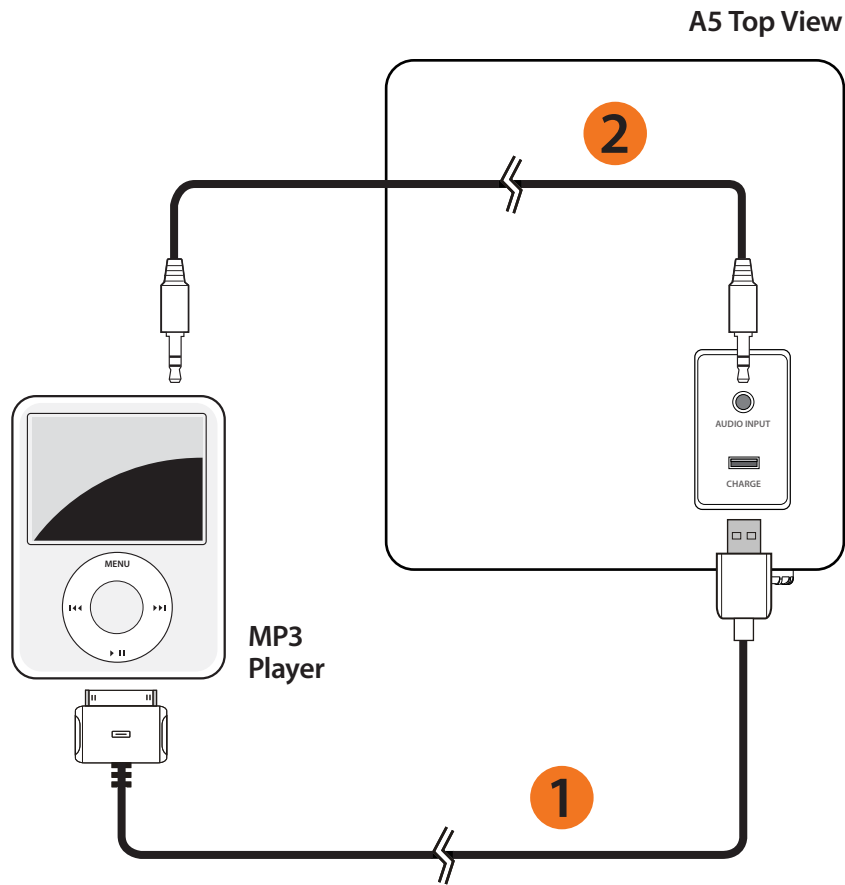




Connecting Your System (continued)

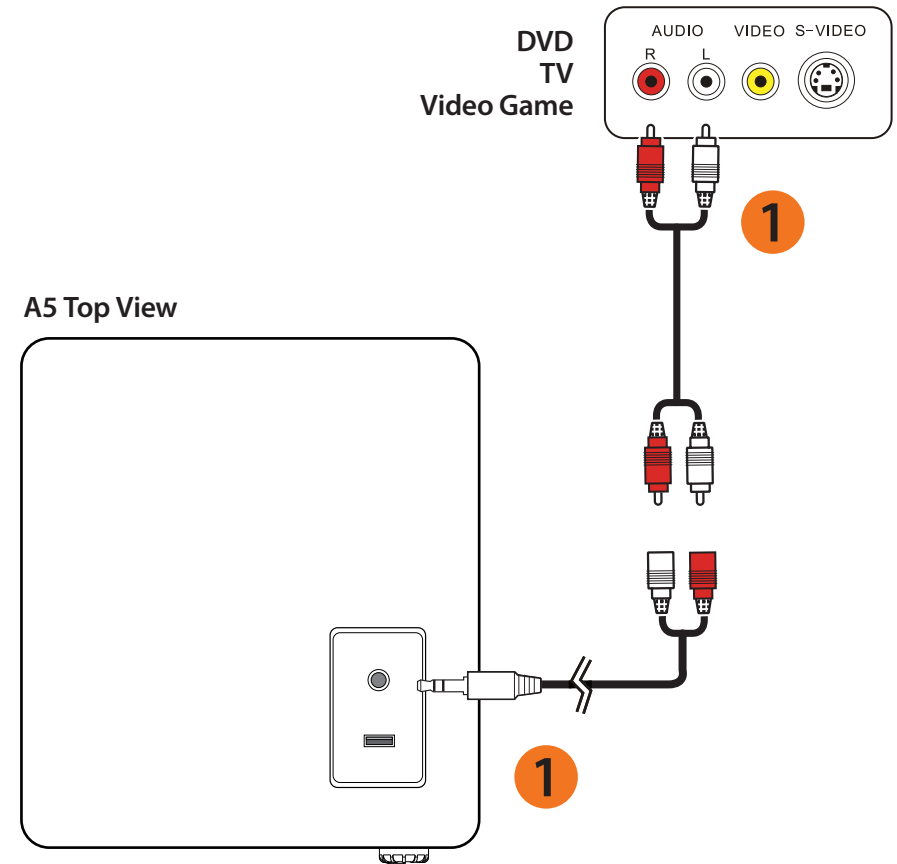
Configuration C (for use with iPod):

- C1** For charging your iPod while playing, connect the 30-pin cable from the iPod to USB jack on the Combo Port. Use the included USB extender cable, if extra cable length is needed on a desktop, for example.
- C2** Connect the long 1/8" mini-jack audio cable from iPod headphone jack to the **AUDIO IN** jack on the Combo Port



Configuration D (all products with 1/8" or RCA outputs):

- D1** Connect the 1/8" mini-jack audio cable from 1/8" output to the **AUDIO IN** jack on the Combo Port (or rear panel) – or use the included RCA to 1/8" Y adapter for components with RCA L/R audio outputs.





Basic Troubleshooting

If the front panel LED does not light up, check...

- that AC power cord is firmly plugged into the rear panel and wall outlet.
- to make sure the speaker rear panel power switch is **ON**.
- that the speaker is getting power from the wall outlet.
- that the rear panel voltage selector is matched to the operating voltage.
- the fuse in the **AC IN** on the rear panel. If the fuse needs to be replaced it is extremely important to replace only with same fuse type and value.

If no sound output, check...

- that the speaker is turned on (blue LED illuminated)
- to make sure the right speaker is connected correctly to the left.
- that the volume on the speaker front panel is not all the way down.
- the volume level on the iPod or other audio source.
- to make sure the iPod audio cable is inserted all the way at both ends and the iPod is seated in the dock correctly.

If bass output is low, check...

- speaker wire polarity (verify that wires are going to same terminals on both speakers)
- that the speaker placement is not too close to a wall or other obstruction.
- that the bass ports on the rear panels are not blocked by a rodent or jelly sandwich.

If no output from right speaker, check...

- that the speaker wire is properly connected from the left to right. Check by removing the speaker wire from both terminals on each speaker and reconnecting.

Thermal Overload

All Audioengine powered speakers and subwoofers are protected by an internal thermal sensor. If they run for extended periods beyond their designated power rating the thermal sensor will engage and shut down the amplifiers. If this occurs, turn off the power switch, lower the volume level, and wait five minutes before restarting the system. This is a normal protection feature and does not indicate a malfunction. A good tip in the unlikely event that a thermal overload occurs is to lower the subwoofer or speaker output volume and increase the volume of your input source.

Hum

Adding a new component such as powered speakers or a subwoofer can bring out hum or buzz that may not have existed before. Your first assumption may be that something is wrong with the new component but this is usually caused by a “ground-loop” in your system. Consider these tips for possible solutions:

First try moving your equipment to the same electrical circuit or AC outlet.

If the hum or buzz is still present, turn off the power on all components in your system and remove all connections to and from your Audioengine 5 speakers. Then plug the A5 speaker AC cable back in, turn on the A5 power switch and check for hum. If the hum is still audible then try plugging the A5 speaker power cable into a different outlet.

If the hum goes away when the interconnect cables are disconnected, the noise is likely coming from another component in your system. Add each component back one piece at a time and the one that causes the system to hum is likely the source of your noise.

A common ground-loop source is cable TV or satellite cables. If the hum or buzz persists after trying the previous tips, disconnect the coaxial cable from your cable box, TV, or DVR and if the hum goes away the cable is the cause.



Basic Troubleshooting (Continued)

In this case you can get a ground-loop isolator from Radio Shack or your local electronics store. These are inexpensive and easy to connect inline with your video cable.

Sometimes something as simple as a portable heater or dehumidifier will add noise into your wall wiring that could be picked up by your subwoofer or powered speakers. A dimmer switch on a halogen floor lamp or a wireless internet router positioned near the subwoofer, for example, could also be possible culprits.

The best solutions are to use an AC line filter, plug the unit into a different AC circuit, or in the case of a wireless router just physically move it further away from the subwoofer or powered speakers.

Support

If you have questions or issues that we can help you with, don't hesitate to email us at: support@audioengineusa.com
or call toll-free at: (877) 853-4447

Warranty

Period

All Audioengine products have a 3-year Limited Warranty on parts and labor from date of purchase. Your warranty is automatic, so there is no need to register. This Limited Warranty applies only to Audioengine products purchased in the Continental United States. For Limited Warranty coverage elsewhere, please contact your Audioengine dealer, reseller, or distributor.

What is covered

All defective parts or faulty workmanship.

What is not covered

The Audioengine Limited Warranty does not cover damage caused by accident, misuse, abuse, neglect, excessive moisture, lightning, power surges, other acts of nature, unauthorized product modification or repairs, or failure to follow the instructions outlined in the Setup Guide.

What we will do

We will repair or replace any defective parts, at our option, within a reasonable amount of time and free of charge any time during the warranty period. After service, we will be responsible for shipping the product back to you at our expense.

What we ask from you

You will be responsible for shipping or transportation charges directly to Audioengine or to an authorized dealer. We recommend that you keep the original shipping materials, as it is important that you package the product so that it will not be damaged during shipping. Audioengine cannot be responsible for any damages incurred during shipping due to poor packing, so please pack well and make sure to insure your shipment.

How to obtain Audioengine Warranty service

If you have any questions about your warranty coverage or you think you may need service, email the Audioengine Authorized Service Center at: support@audioengineusa.com or call toll-free in the United States at: (877) 853-4447. We will do everything we can to answer your questions and resolve any issues as quickly as possible.

Exclusive Remedy

This Limited Warranty is fully transferable provided that the current owner furnishes the original proof of purchase and that furnishes the original proof of purchase and that the serial number on the product is intact. THE MAXIMUM LIABILITY OF AUDIOENGINE SHALL NOT EXCEED THE ACTUAL PURCHASE PRICE PAID BY YOU FOR THE PRODUCT. IN NO EVENT SHALL AUDIOENGINE BE LIABLE FOR SPECIAL, INCIDENTAL, CONSEQUENTIAL OR INDIRECT DAMAGES.

Product Returns and Refunds

Your satisfaction is guaranteed! Should you have a problem or are not satisfied with any Audioengine product, send us an email at: support@audioengine.com or call toll-free in the United States at: (877) 853-4447.



Audioengine 5 Premium Powered Desktop Speakers

General Specifications

This page intentionally left blank

Type:	2.0 powered (active) bookshelf-style speaker system
Power output:	150W peak power total (50W RMS / 75W peak per channel), AES
Amplifier type:	Dual Class AB monolithic
Inputs:	Dual 1/8" stereo mini-jacks
Outputs:	USB Type A (power charging only) RCA L/R audio (full-range, non-adjustable)
Voltages:	115/240V, 50/60Hz manually switchable
Drivers:	5" Kevlar woofers, 20mm silk dome tweeters
Signal-to-noise:	>95dB (typical A-weighted)
THD:	<0.05% at all power settings
Crosstalk:	<50db
Frequency response:	50Hz-22kHz +/-1.5dB
Input impedance:	10K ohms unbalanced
Protection:	Output current limiting, thermal over-temperature, power on/off transient protection, replaceable external main fuse
Dimensions (each):	10.0"(H) x 7.0" (W) x 7.75" (D)
Weight (Left):	6.4Kg/14lbs
Weight (Right):	4Kg/9lbs
Shipping weight:	12.6Kg/27.75lbs per pair
Shipping box dims:	11.5" (W) x 14.5" (H) x 21.75" (L)

Materials and Construction

25mm thick MDF cabinets

20mm silk dome tweeters with neodymium magnets

5" Kevlar woofers with advanced voice coils

Torroidal power transformer